

Brief Description

The SSC Modular Evaluation Kit provides hardware and software for a very simple and intuitive method of evaluating IDT's sensor signal conditioner (SSC) ICs. For the evaluation of different SSC ICs, only the IC-specific SSC Evaluation Board and software are needed; the other parts of the evaluation hardware (SSC Communication Board and SSC Sensor Replacement Board) are typically the same.

The SSC Communication Board V4.1* (SSC CB) can provide the power supply for the evaluation hardware and handle the communication with a PC via a USB interface. To prevent malfunctioning or damage, a galvanic isolation to the PC's USB port is established on board via digital isolators for the information lines and an isolated DC/DC converter for the power line. It is also possible to supply the Communication Board and connected kit boards or user modules by an external power line (12V typical) via the KL1 screw terminal on the SSC CB. It is also possible to supply low voltage devices with a fixed 1.8 or 3.3 VDC internal voltage. Alternatively the connected application could be supplied via the KL2 screw terminal with a voltage of 1.0 to 3.6 VDC.

A USB-UART device transfers all signals to the standardized USB port of the user's PC. Its UART interface is connected via digital isolators with the UART of an on-board microcontroller that controls all functions of the Evaluation Kit and of the SSC IC to be evaluated. Its software allows direct communication with the SSC IC via several interface options depending on the IC: I²C™[†], SPI, ZACwire™ (One-Wire Interface (OWI)), LIN via a discrete level shifter, or SENT. The microcontroller also controls the power lines (5VDC and two lines for 12VDC) by driving several electronic switches. The microcontroller displays the status of communication via LEDs.

An on-board dual header strip enables access to all signal and power lines. This allows a simple signal check; e.g., by a digital oscilloscope, a multimeter, or a connection with user-specific hardware.

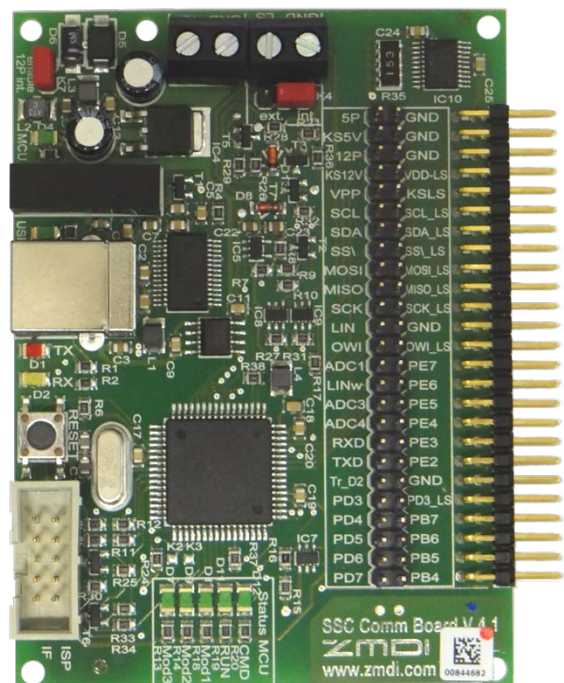
Important: Always ensure that there is no power when connecting SSC Evaluation Kit boards.

Features

- Interface fully compatible with USB 2.0
- “Plug & play” capability
- Power for the Evaluation Kit provided by the USB port or an external power supply as selected with a jumper setting
- Internal generation of all required voltage levels: 5 VDC and 12 VDC
- On-board galvanic isolation between PC and evaluation hardware
- Access to all digital communication lines of the IDT SSC IC being evaluated

Benefits

- PC-controlled configuration and calibration via USB interface – simple, low cost
- Standard communication board for all IC types in IDT's SSC product family
- USB port driver included in the Evaluation Kit setup software – simple installation



* This document applies to V4.1 of the SSC CB. See section 7 for earlier SSC CB versions.

† I²C™ is a trademark of NXP.

Important Note

Restrictions in Use

The software and the hardware for the ZSC31xxx / ZSSC3xxx SSC Evaluation Kits are designed for IC evaluation, laboratory setup and module development only.

IDT's SSC Evaluation Kit hardware and software must not be used for module production or production test setups.

Disclaimer

IDT shall not be liable for any damages arising out of defects resulting from:

- (i) delivered hardware and software
- (ii) non-observance of instructions contained in this manual, or
- (iii) misuse, abuse, use under abnormal conditions or alteration by anyone other than IDT.

To the extent permitted by law, IDT hereby expressly disclaims and user expressly waives any and all warranties, whether express, implied, or statutory, including, without limitation, implied warranties of merchantability and of fitness for a particular purpose, statutory warranty of non-infringement and any other warranty that may arise by reason of usage of trade, custom, or course of dealing.

Contents

1	Electrical Specifications	4
2	SSC Communication Board Connections	5
3	Software Installation	6
3.1.	System Requirements	6
3.2.	USB Driver Installation	6
4	Circuit Description	6
4.1.	USB Power and the Communication Interface	6
5	Special Functions of the SSC Communication Board	7
5.1.	Trigger	7
5.2.	Pull-up Resistor for Support of Data Communication	7
5.3.	ADC Channel ADC0 to ADC4	7
5.4.	Digital Channels B4 to B7, D2 to D7, and E2 to E7	8
5.5.	RXD/TXD Interface	8
5.6.	LIN Channel	8
5.7.	I ² C TM Channel	8
5.8.	SPI Channel	8
5.9.	OWI Channel (ZACwire TM)	8
5.10.	VPP Pulse Generation	8
5.11.	5V Channel	8
5.12.	12V Channel	9

5.13.	Level Shifter Channel	9
6	SSC Evaluation Kit Controller Language	10
6.1.	SSC Terminal Program	10
6.2.	SSC Evaluation Kit Controller Language Commands	10
7	SSC Communication Board V4.1 – Schematics	12
8	Related Documents	15
9	Glossary	15
10	Document Revision History	16

List of Figures

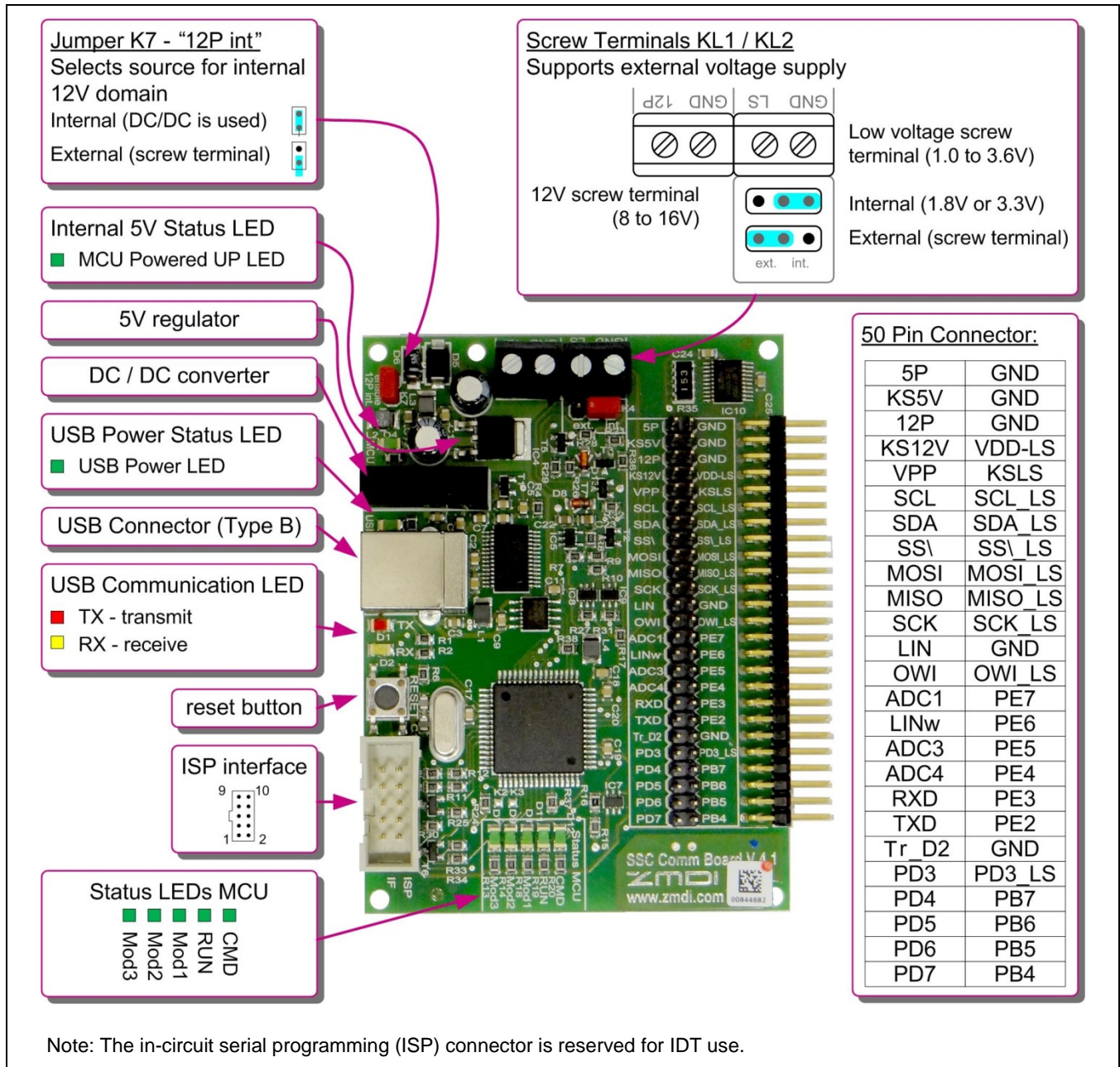
Figure 2.1	Overview SSC Communication Board.....	5
Figure 6.1	Example Start Sequence with Trigger Configuration.....	11
Figure 7.1	Communication Board Schematic Part 1: USB-Interface Circuit.....	12
Figure 7.2	Communication Board Schematic Part 2: MCU Circuit	13
Figure 7.3	Communication Board Schematic Part 3: Level Shifter and 50-pin Connector.....	14

1 Electrical Specifications

PARAMETER	SYMBOL	CONDITIONS	MIN	TYP	MAX	UNITS
Ambient temperature range ¹⁾	T _{AMB}		+10		+45	°C
External voltage supply input on KL1	V _{EXT_KL1}		8	12	16	V DC
External voltage supply input on KL2	V _{EXT_KL2}		1.0		3.6	V DC
USB current	I _{USB}		40		500	mA
Current capability of 12v supply via DC/DC ²⁾	I _{12V_DC/DC}				167	mA
Power dissipation	P _{MAX}				1500	mW
Current at 12P pin on K5/K6	I _{12P}	With internal supply ³⁾			40	mA
		With external voltage supply via KL1			150	mA
Current at KS12V pin on K5/K6	I _{KS12V}	With internal supply ³⁾			40	mA
		With external voltage supply via KL1			50	mA
Current at VPP pin on K5/K6	I _{VPP}	With internal supply ³⁾			40	mA
		With external voltage supply via KL1			50	mA
Current at 5P pin on K5/K6	I _{5P}	With internal supply ³⁾			40	mA
		With external voltage supply via KL1			150	mA
Current at KS5V pin on K5/K6	I _{KS5V}	With internal supply ³⁾			100	mA
		With external voltage supply via KL1			500	mA
Current at VDD-LS pin on K5/K6	I _{VDD-LS}	With internal supply ³⁾			50	mA
		With external voltage supply via KL1			150	mA
Current at KSLS pin on K5/K6	I _{KSLS}	With internal supply ³⁾			50	mA
		With external voltage supply via KL1			150	mA
1. Important: The SSC Communication Board is designed for operation at room temperature only. Do not place this board in temperature chambers during calibration. 2. Total, including SSC Communication Board power supply. 3. Complete power supply via USB. Total amount / sum of current must not exceed specified power dissipation of DC/DC converter.						

2 SSC Communication Board Connections

Figure 2.1 Overview SSC Communication Board



3 Software Installation

Note: To install the SSC Evaluation Software, administrator rights are required on the user's PC.

3.1. System Requirements

- 5x86 compatible PC
- 32MB RAM
- Hard drive with 20MB free space
- Free USB port
- Microsoft Windows® ME / 2000 / XP / Vista / Windows®7 / Windows®8

3.2. USB Driver Installation

Before installing any SSC IC specific IDT software, the USB driver should be installed. The SSC Communication Board V4.1 uses an FTDI device for communication via the USB port. The latest driver can be found on IDT's website*. If using Windows®7 / Windows®8, the user's system will automatically download and use the latest approved driver from Microsoft. In this case, ensure that a connection to the internet is established before connecting the SSC Communication Board V4.1 to a free USB port.

The drivers will not affect the operation of any other USB peripherals.

After successful USB driver installation, the software can either use the virtual COM port or the FTDI D2XX.DLL for connection and communication.

4 Circuit Description

4.1. USB Power and the Communication Interface

SSC Evaluation Kits are interfaced to the user's PC via a Universal Serial Bus (USB). The USB communication is handled by an FT232R USB-to-UART IC. The communication to the on-board microcontroller is handled by a common UART line via digital isolators to provide galvanic isolation.

The USB power line supplies the SSC Communication Board via a galvanic isolated 5-to-12V DC/DC converter circuit. Therefore no additional power supply is required. To fulfill the USB specification for devices with more than 100mA power consumption, the supply input of the subsequent circuit is switched by a MOS transistor, which is controlled by the USB-UART-interface IC. As a result, the power supply of the connected microcontroller and SSC Evaluation Board will be switched on after successful PC USB driver initialization. The maximum load current of the DC-DC converter's 12VDC output line is 167mA, which is sufficient for supplying the SSC Evaluation Board hardware and some additional external electronic devices. Alternately, it is possible to supply the SSC Evaluation Kit by an external 12VDC power line; e.g., to prevent additional noise caused by the DC-DC converter or to allow more than a 167mA load current at the 12VDC line.

* <https://www.IDT.com>

The 5VDC supply line is generated by a common LDO linear regulator supplied by the 12VDC line. The microcontroller (type ATmega1281) handles the communication with the IDT SSC IC by using its specific Evaluation Software running on the user's PC. All serial protocols are implemented in the microcontroller's software (I²C™ / SPI / LIN / ZACwire™ (OWI One-Wire Interface) / SENT), except that for LIN, a discrete LIN level shifter is used. The communication status of the microcontroller is displayed by five LEDs. The microcontroller controls both power lines by electronic switches, so a defined power ON/OFF procedure is practicable. A second switchable 12V power supply labeled as VPP is available because it should be used for generation of the required memory programming voltage.

The IDT SSC Evaluation Board can be connected to the SSC Communication Board via the 50-pin connector. Additionally, all system signals can be checked via the 50-pin header on board. This can also be used for connecting external electronics or the user's own hardware.

5 Special Functions of the SSC Communication Board

5.1. Trigger

Most IDT SSC ICs need a special start procedure to switch into the Command Mode. Therefore a special timing and communication procedure after power-on is required. On the SSC Communication Board, this function is provided by the corresponding supply channels (KS5V, KS12V, VPP(12V), and KSLs). All channels are controlled via electronic switches.

To connect user-specified hardware, a separate trigger signal can be provided at the TRIG pin. This trigger signal will be activated by the trigger command (For details, refer to section 6 and the *SSC Communication Board Command Syntax Spreadsheet*).

5.2. Pull-up Resistor for Support of Data Communication

To support reliable data communication, some interfaces (ZACwire™ (OWI One-Wire Interface) and LIN) need an additional pull-up resistor, which is included on the SSC Evaluation Board. To eliminate any parasitics caused by this pull-up resistor on the power supply of the SSC IC and data output pin for the selected SSC IC interface, the pull up resistor must be disconnected from the circuit during the start-up phase. This function is supported by the switchable pin Tr_D2. The ZACwire™, OneWire™, and LIN protocol manipulate the signal on Tr_D2 automatically. For user evaluation boards, connect the pull-up resistor or an external pull-up source to Tr_D2.

As an alternative, the SSC Communication Board V4.1 provides an internal 4.7k pull-up for ZACwire™ and OneWire™ interface. By default this pull-up will not be used for communication. The pull-up can be enabled by a special command. Refer to section 6 for general information on commands and the *SSC Communication Board Command Syntax Spreadsheet* for a detailed command description.

5.3. ADC Channel ADC0 to ADC4

The SSC Communication Board provides five ADC channels: ADC0 to ADC4. The ADC0 channel is labeled "OWI" (ZACwire™); in OWI mode, the ADC0 channel is not available. The ADC channels have a resolution of 10-bits. To use these channels, refer to the SSC Communication Board command descriptions that are given in the *SSC Communication Board Command Syntax Spreadsheet*.

5.4. Digital Channels B4 to B7, D2 to D7, and E2 to E7

The SSC Communication Board provides several bidirectional digital channels B4 to B7, D2 to D7, and E2 to E7. The D2 channel is not available during ZACwire™ (i.e., OWI, digital One-Wire Interface) and LIN communication (reserved for pull-up switching as described in section 5.2). The output channels have tri-state functionality. To use these channels, refer to the SSC Communication Board command descriptions in the *SSC Communication Board Command Syntax Spreadsheet*.

5.5. RXD/TXD Interface

The RXD and TXD pins available on the SSC Communication Board's 50-pin connector (K5/K6) provide the serial protocol that is used for communication between the USB serial connector and the microcontroller.

5.6. LIN Channel

The LIN channel provides a 12V LIN-complaint signal to connect to LIN-compliant devices (LIN specifications 1.3, 2.0, and 2.1). Discrete circuitry converts the 5V microcontroller signal to the 12V LIN level and vice versa. To use this channel, refer to the SSC Communication Board command descriptions in the *SSC Communication Board Command Syntax Spreadsheet*.

5.7. I²C™ Channel

The I²C™ communication protocol is provided at the SCL (clock) and SDA (serial data) pins. To use this channel, refer to the SSC Communication Board command descriptions in the *SSC Communication Board Command Syntax Spreadsheet*. On the board, there are pull-up resistors of 4.7kΩ each, which are connected to the switched KS5V power line.

5.8. SPI Channel

The SPI communication protocol is provided at the MOSI (Master Out Slave In), MISO (Master In Slave Out), and SCK (Clock) pins. To use this channel, refer to the SSC Communication Board command descriptions in the *SSC Communication Board Command Syntax Spreadsheet*.

5.9. OWI Channel (ZACwire™)

The ZACwire™ (i.e., OWI, digital One-Wire Interface) communication protocol is provided at the OWI pin. To use this channel, refer to the SSC Communication Board command descriptions that are given in the *SSC Communication Board Command Syntax Spreadsheet*.

5.10. VPP Pulse Generation

At the VPP pin, a second 12V power supply can be provided that is intended to be used for a special EEPROM programming pulse generation. However, this VPP pin can also be used for any other 12V purpose. To use this pin, refer to the SSC Communication Board command descriptions in the *SSC Communication Board Command Syntax Spreadsheet*.

5.11. 5V Channel

At the 5P pin, a stabilized voltage of 5VDC is available to supply external circuits. The KS5V channel provides the same voltage, controlled by the microcontroller via an electronic switch to provide special IC start-up scenarios. To use this channel, refer to SSC Communication Board command descriptions in the *SSC Communication Board Command Syntax Spreadsheet* regarding trigger pulse generation.

5.12. 12V Channel

At the 12P pin, a stabilized voltage of 12VDC is available to supply external circuits if the kit is supplied via USB. When supplying the kit with an 8 to 16 VDC by an external power supply via screw terminal KL1, this voltage is available at the 12P pin. The KS12V channel provides the same voltage, as controlled by the microcontroller via an electronic switch to provide special IC start-up scenarios. To use this channel, refer to the SSC Communication Board command descriptions in the *SSC Communication Board Command Syntax Spreadsheet*.

5.13. Level Shifter Channel

The Communication Board provides also the option to communicate with low voltage devices using a level shifter. The voltage operation range can be set to fixed internal 1.8V or 3.3V or via KL2 to a freely selectable range of 1.0 to 3.6 VDC.

The control signals for the level shifter and the power supply line are given in the *SSC Communication Board Command Syntax Spreadsheet*.

The level shifted signals are labeled with “LS” on the K5 and K6 connectors. At the VDD-LS pin, a stabilized low voltage is available to supply external circuits. The KSLS channel provides the same voltage, controlled by the microcontroller via an electronic switch to provide special IC start-up scenarios.

The I²C™, SPI, ZACwire™ (OWI), and one digital channel (D3) are transferred via level shifter to the low voltage domain. If more than one digital channel will be required by the application the remaining pins of I²C™, SPI, or ZACwire™ (OWI) can also be used.

6 SSC Evaluation Kit Controller Language

The SSC Communication Board contains a microcontroller with an 8-bit wide internal RISC processor. The communication between this microcontroller and the user's PC is addressed by a serial protocol. The USB-to-serial converter transforms this signal into a USB-complaint data stream. To allow control of the SSC Communication Board with a PC, the USB data is forwarded to a virtual serial interface (virtual COM port) or FTDI D2XX.DLL. This communication is implemented by the USB driver (see section 3.2).

To control the SSC Communication Board, a software interface is necessary. IDT's Evaluation Kits include software that provides this interface.

Alternately, the user's software can be used, or for the simplest cases, a terminal program (e.g., HyperTerminal) can communicate using the corresponding virtual COM port via defined commands with the SSC Communication Board hardware. The configuration for this method and for all user software is as follows:

- Baud rate: 19200
- Data bits: 8
- Stop bits: 1
- Parity: none
- Command terminator: <Carriage Return> plus optional <Line Feed> (\r\n)*

6.1. SSC Terminal Program

IDT's SSC Terminal Program is a basic terminal program adapted to the communication parameters of the SSC Communication Board. The communication procedure for the different software modules is based on this model.

This program is available in a zip file at www.IDT.com/ZSSC3xxx-COMM-BD. First download the zip file and then extract the software. Click on the extracted file to activate the terminal program.

6.2. SSC Evaluation Kit Controller Language Commands

The commands can be classified as READ, WRITE and SPECIAL commands. Every command that is sent to the hardware is answered by an acknowledge plus a "value" or a not-acknowledge plus a corresponding error code. For the typical IDT SSC IC data structure, refer to the corresponding data sheet and/or functional description.

Depending on the type of SSC IC, a special start-up sequence is necessary to switch the IC to the digital communication mode. To handle this sequence, a special trigger command is provided. The trigger values can be selected with a special preparation call. This call configures the channel, which must switch off and on before the first data packet can be sent. The execution of this trigger command can be selected within a subsequent read/write procedure. The switch-off time before a trigger event is executed can also be programmed. The default value is 300ms. The trigger time is related to the command window parameters of each product. Refer to the SSC IC product datasheet for further information.

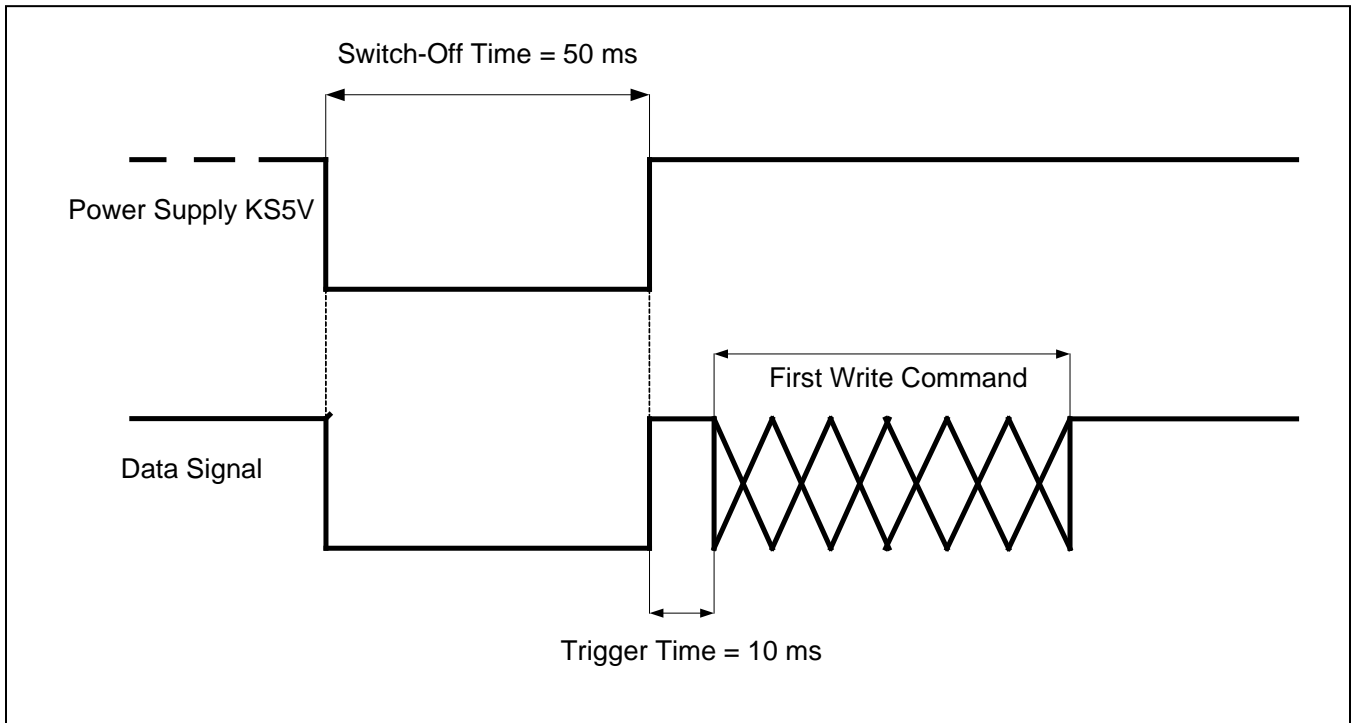
* SSC CB will interpret CR as the command terminator and will start execution of the command. The string from SSC CB to PC will always be terminated with <CR><LF>.

Table 6.1 Command Example

Command description	Command (string)	Command (hex)
Set the switch-off time to 50ms	T_050	54 5F 30 35 30 0D 0A
Select trigger channel KS5V with a trigger time 10ms	T01010	54 30 31 30 31 30 0A 0D
Write to the I ² C™ channel with trigger	IWT7800101	49 57 54 37 38 30 30 31 30 31 0D 0A
Read a 4 byte value via the I ² C™ port without trigger	ir_78004	69 72 5F 37 38 30 30 34 0D 0A

For a complete command list, refer to the current version of the *SSC Communication Board Command Syntax Spreadsheet*.

Figure 6.1 illustrates the timing and related trigger signals needed for sending commands to the SSC CB using the example settings of 50ms switch-off time and 10ms trigger time.

Figure 6.1 Example Start Sequence with Trigger Configuration


7 SSC Communication Board V4.1 – Schematics

Figure 7.1 Communication Board Schematic Part 1: USB-Interface Circuit

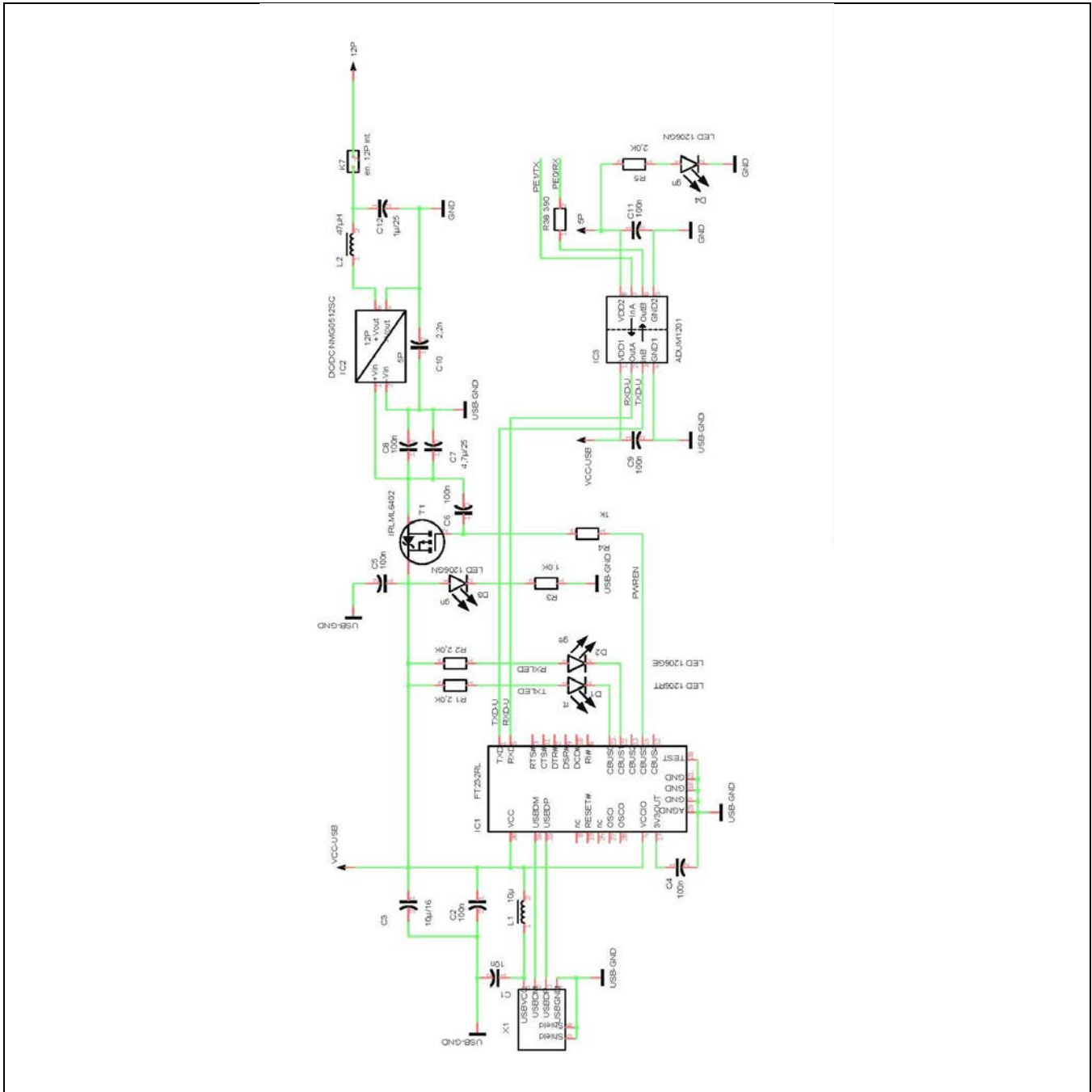
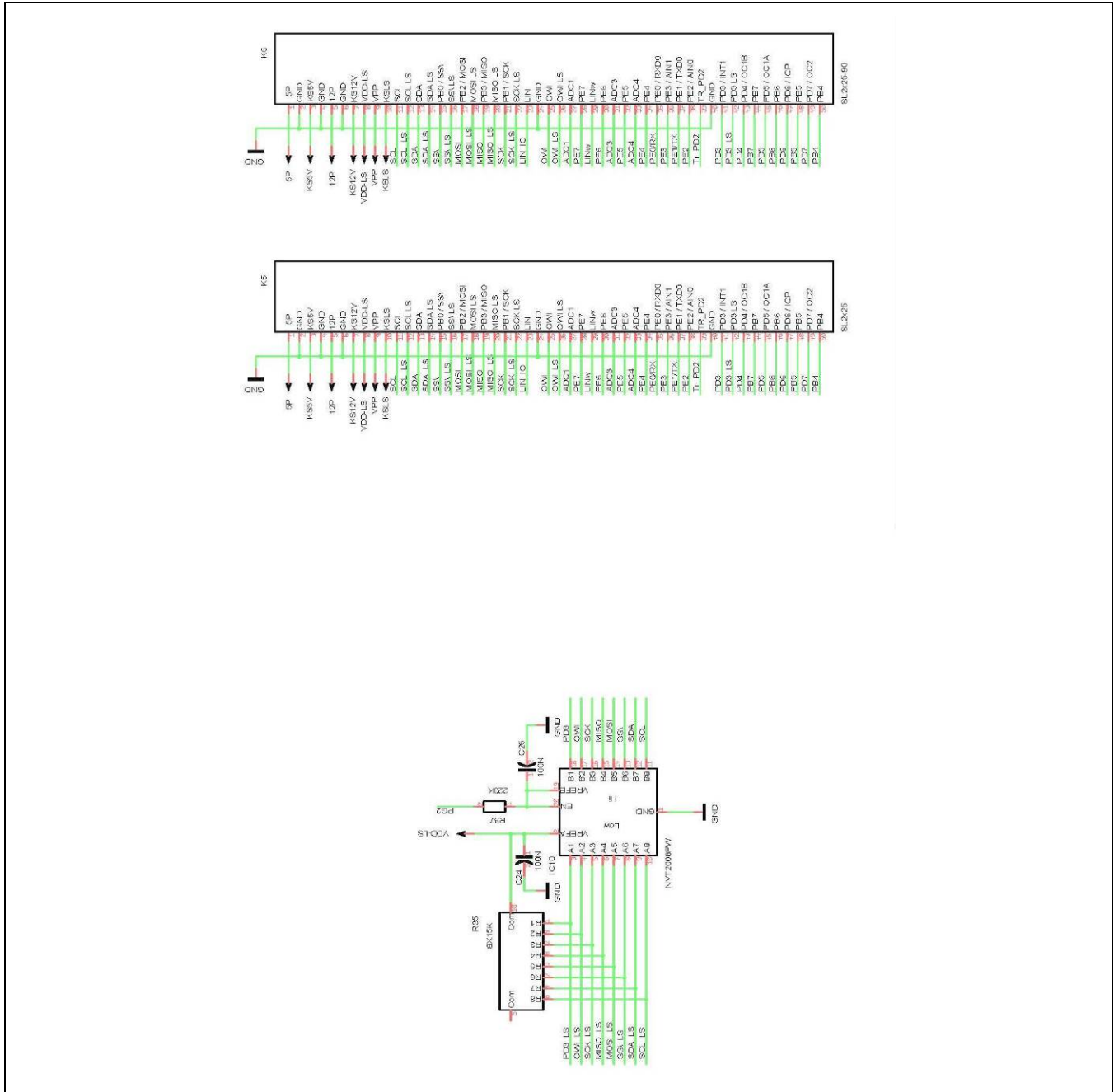


Figure 7.3 Communication Board Schematic Part 3: Level Shifter and 50-pin Connector



8 Related Documents

Document
<i>SSC Communication Board Command Syntax Spreadsheet *</i>
SSC Application Note – SSC Evaluation Kit Firmware Update
SSC Sensor Replacement Board Datasheet
SSC Evaluation Kit Feature Sheet

Visit www.IDT.com/ZSSC3xxx-COMM-BD or contact your nearest sales office for the latest version of these documents.

Note: For versions of the SSC CB earlier than V4.1, refer to the 1.06 revision of this document.

9 Glossary

Term	Description
ADC	Analog-to-digital converter
FTDI	Future Technology Devices International
I ² C™	A common two-wire-serial bus system
ISP	In-Circuit Serial Programming
LDO	Low drop-out
LED	Light Emitting Diode
LIN	A common one-wire-serial bus system
LS	Level Shift
MCU	Microprocessor
MISO	“Master In Slave Out” signal for the SPI communications interface
MOSI	“Master Out Slave In” signal for the SPI communications interface
OWI	One-Wire Interface
RX	Receive
SCK	Clock for the SPI communications interface
SCL	Clock for I ² C™ communication interface
SDA	Serial data for I ² C™ communication interface
SPI	A common three-wire-serial bus system

* This document is included in the terminal program zip file that can be downloaded from the IDT website. See section 6 for instructions for accessing the zip file. This spreadsheet is also available upon request.

Term	Description
SS	
SSC	Sensor signal conditioner
TX	Transmit
USB	Universal Serial Bus
ZACwire™	A IDT-specific one-wire-serial bus system on a 5V level.

10 Document Revision History

Revision	Date	Description
2.00	November 12, 2013	First release of document for new revision 4.1 board.
	March 30, 2016	Changed to IDT branding.



Corporate Headquarters
 6024 Silver Creek Valley Road
 San Jose, CA 95138
www.IDT.com

Sales
 1-800-345-7015 or 408-284-8200
 Fax: 408-284-2775
www.IDT.com/go/sales

Tech Support
www.IDT.com/go/support

DISCLAIMER Integrated Device Technology, Inc. (IDT) reserves the right to modify the products and/or specifications described herein at any time, without notice, at IDT's sole discretion. Performance specifications and operating parameters of the described products are determined in an independent state and are not guaranteed to perform the same way when installed in customer products. The information contained herein is provided without representation or warranty of any kind, whether express or implied, including, but not limited to, the suitability of IDT's products for any particular purpose, an implied warranty of merchantability, or non-infringement of the intellectual property rights of others. This document is presented only as a guide and does not convey any license under intellectual property rights of IDT or any third parties.

IDT's products are not intended for use in applications involving extreme environmental conditions or in life support systems or similar devices where the failure or malfunction of an IDT product can be reasonably expected to significantly affect the health or safety of users. Anyone using an IDT product in such a manner does so at their own risk, absent an express, written agreement by IDT.

Integrated Device Technology, IDT and the IDT logo are trademarks or registered trademarks of IDT and its subsidiaries in the United States and other countries. Other trademarks used herein are the property of IDT or their respective third party owners. For datasheet type definitions and a glossary of common terms, visit www.idt.com/go/glossary. All contents of this document are copyright of Integrated Device Technology, Inc. All rights reserved.

Mouser Electronics

Authorized Distributor

Click to View Pricing, Inventory, Delivery & Lifecycle Information:

[IDT \(Integrated Device Technology\):](#)

[SSCCOMMBOARDV4P1C](#)